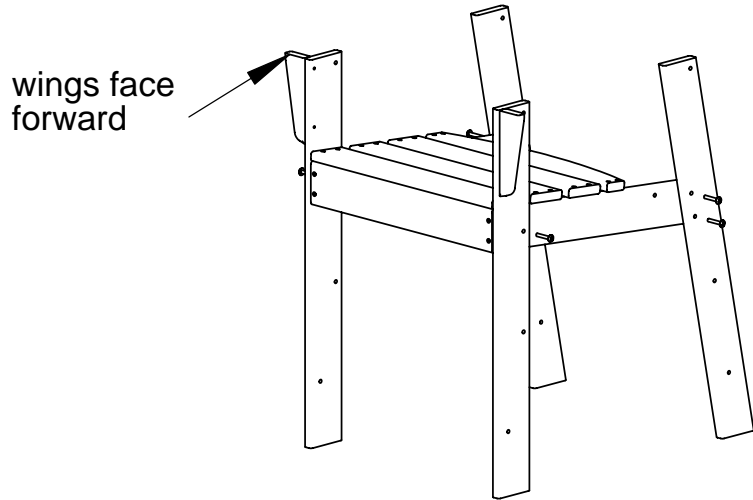




Assembly Instructions
Model: SBD24

Step 1

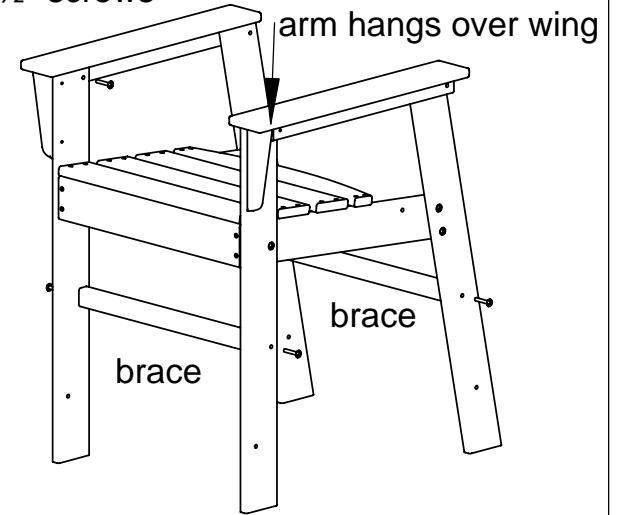
Lay seat on its side.
 Attach front leg and back leg
 to seat. Now flip seat around and
 do the other side. Uses (6) 1½" screws



- (1) Seat
- (1) Back
- (2) Front legs
- (2) Back legs
- (2) Arms
- (1) Footrest
- (1) Short brace
- (2) Side brace
- (2) Braces
- (1) Hardware pack

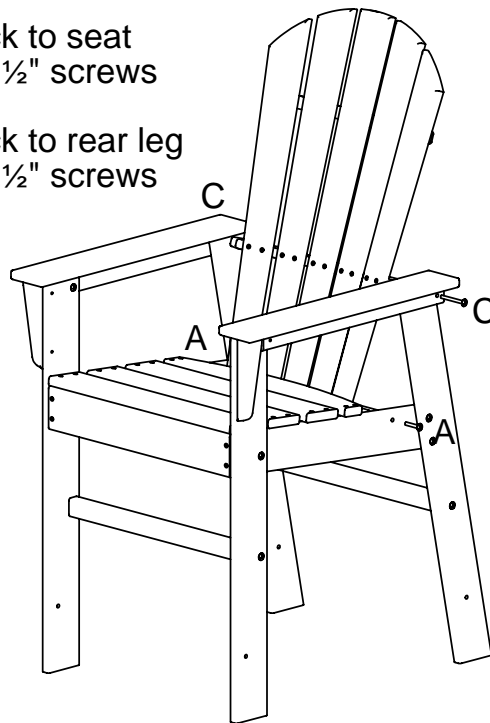
Step 2

Attach arms to front leg using
 (2) 1½" screws
 Attach braces to legs using
 (4) 1½" screws



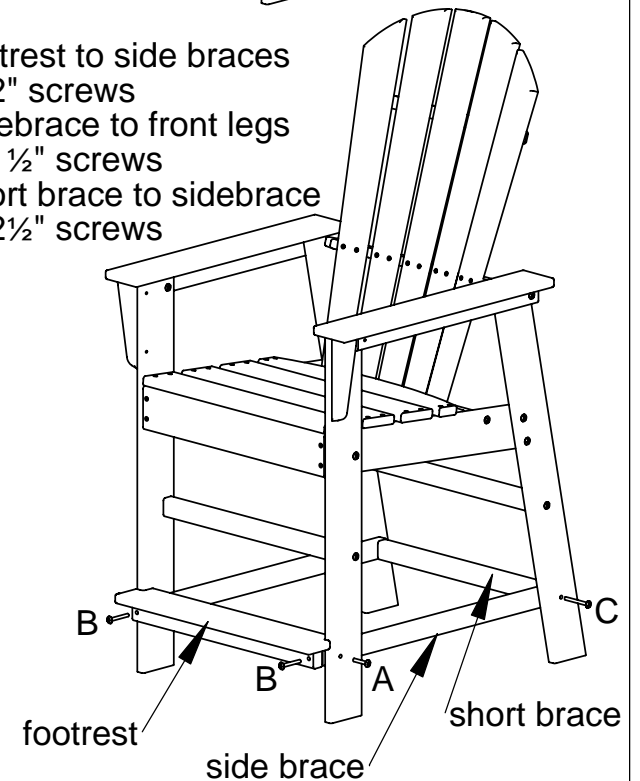
Step 3

Attach back to seat
 using (2) 1½" screws
 Attach back to rear leg
 using (2) 2½" screws



Step 4

Attach footrest to side braces
 using (2) 2" screws
 Attach sidebrace to front legs
 using (2) 1½" screws
 Attach short brace to sidebrace
 using (2) 2½" screws



TOOLS NEEDED

Phillips head screwdriver

Qty.	Description
16	A - 14x1½" Screw
2	B - 14x2" Screw
4	C - 14x2½" Screw

All screws are truss head type B

All hardware is SS