

SEDONA SWIVEL STOOLS

Model #4679-827 Swivel Counter Stool

Model #4679-831 Swivel Bar Stool

Date: 03-27-06

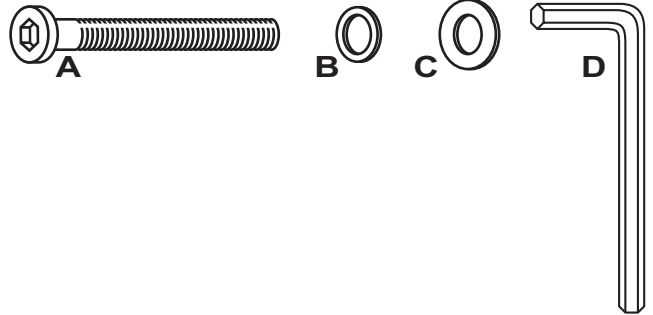
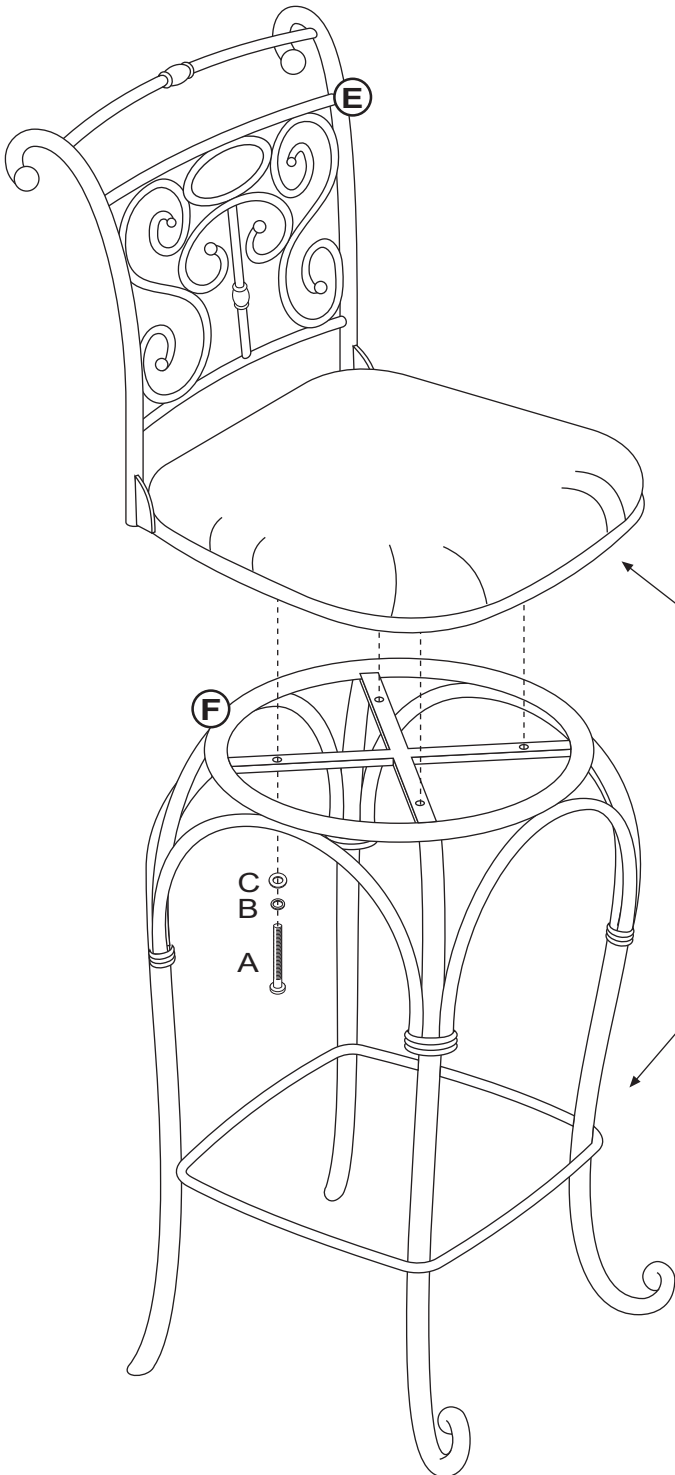
Examine all packaging material for small parts that may have come loose during shipment. Periodic checks are recommended to insure that all components are in proper position, tight and free from damage. Keep this assembly instruction for future reference. Adult assembly required. Online Parts Request: parts.request@hillsdalefurniture.com - Customer Service Phone Number: 502-562-0000

HARDWARE LIST

- A (4) Allen Bolts
- B (4) Spring Washers
- C (4) Flat Washers
- D (1) Allen Wrench

PARTS LIST

- E (1) Stool Top
- F (1) Stool Bottom



Note: The Upright of the back must be consistent with the Front Leg Direction.

***** ASSEMBLY *****

Attach the Stool Top (E) to the Stool Bottom (F), using 4 Allen Bolts (A), 4 Spring Washers (B) & 4 Flat Washers (C) from the bottom of the crossbars and into the swivel metal plate. Tighten all bolts using the Allen Wrench (D) that is provided with the hardware. The assembly of your new stool is now complete.