

Examine all packaging material for small parts that may have come loose during shipment. Periodic checks are recommended to insure that all components are in proper position, tight and free from damage. Keep this assembly instruction for future reference. Adult assembly required. Online Parts Request: parts.request@hillsdalefurniture.com - Customer Service Phone Number: 502-562-0000

HARDWARE LIST

- A (6) Allen Bolts 1-1/4"
- B (4) Allen Bolts 1"
- C (15) Allen Bolts 5/8"
- D (21) Spring Washers
- E (13) Large Flat Washers
- F (4) Wood Screws
- G (1) Allen Wrench
- H (12) Small Flat Washers

PARTS LIST

- I (2) Leg Panels
- J (1) Seat Frame
- K (1) Frame Support Ring
- L (1) Stool Back
- M (1) Top Inner Ring
- N (1) Lower Inner Ring
- P (1) Seat Cushion

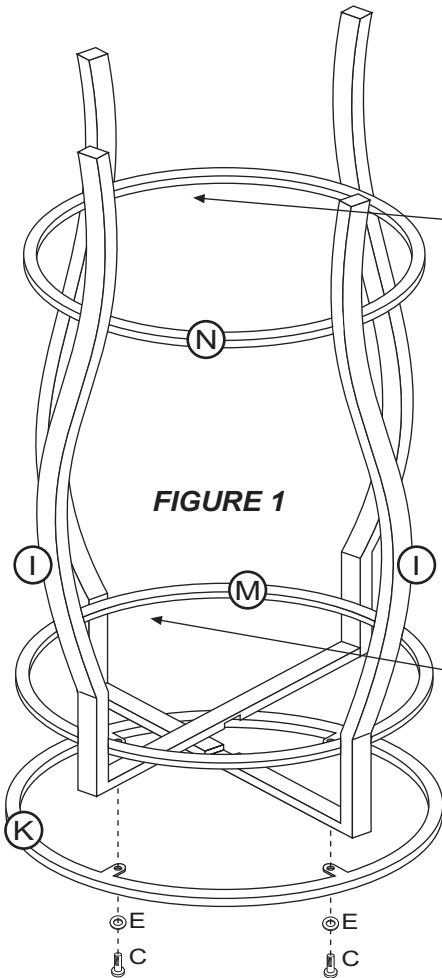
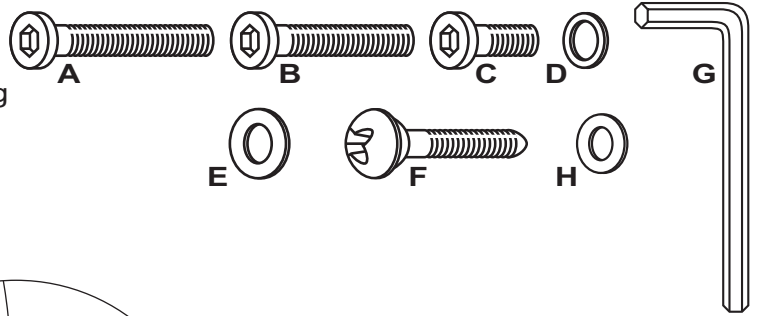


FIGURE 1

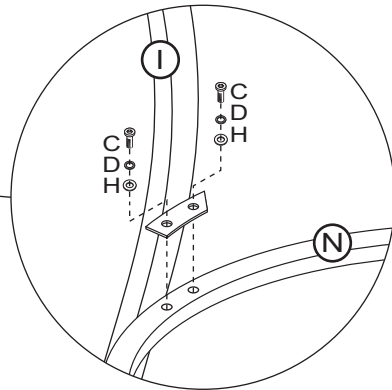


FIGURE 3

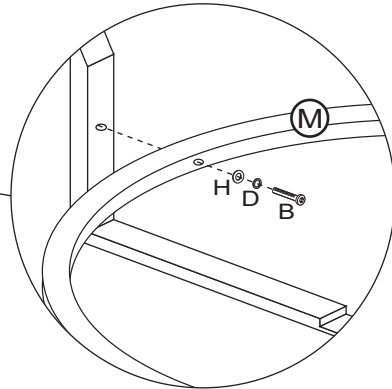


FIGURE 2

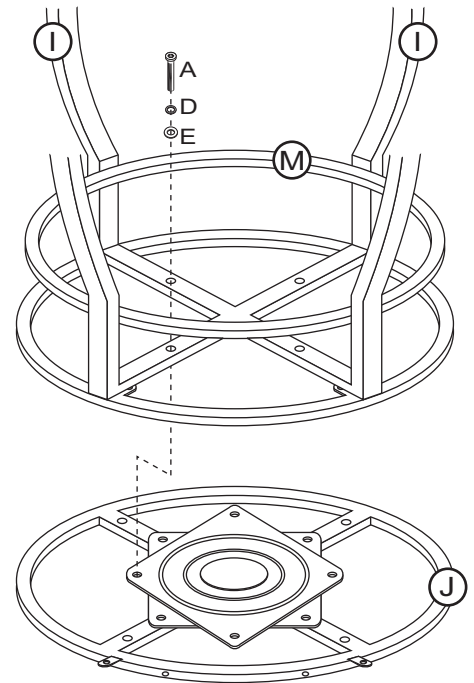


FIGURE 4

STEP 1 - See Figure 1

Begin assembly by first attaching each Leg Panel (I) together. Once in place, attach Frame Support Ring (K) to top of Leg Panels (I) using 4 Allen Bolts (C) & 4 Large Flat Washers (E). Do not tighten bolts until further instructed.

STEP 2 - See Figure 2

Next, flip Legs upside down and place on a clean, smoothly padded surface to protect finish. Attach Top Inner Ring (M) to the inside of all Leg Panels (I), using 1 Allen Bolt (B), 1 Spring Washer (D) & 1 Small Flat Washer (H) per each leg. Do not tighten bolts until further instruction.

STEP 3 - See Figure 3

Attach Lower Inner Ring (N) to the inside of all Leg Panels (I), using 2 Allen Bolts (C), 2 Spring Washers (D) & 2 Small Flat Washers (H) per each leg. Tighten all bolts from Steps 1, 2 & 3, using the Allen Wrench (G) that has been provided.

STEP 4 - See Figure 4

Attach Seat Frame (J) to Leg Panels (I) using 4 Allen Bolts (A), 4 Spring Washers (D) & 4 Large Flat Washers (E), 1 per each pre-drilled hole. Tighten all bolts using the Allen Wrench (G).

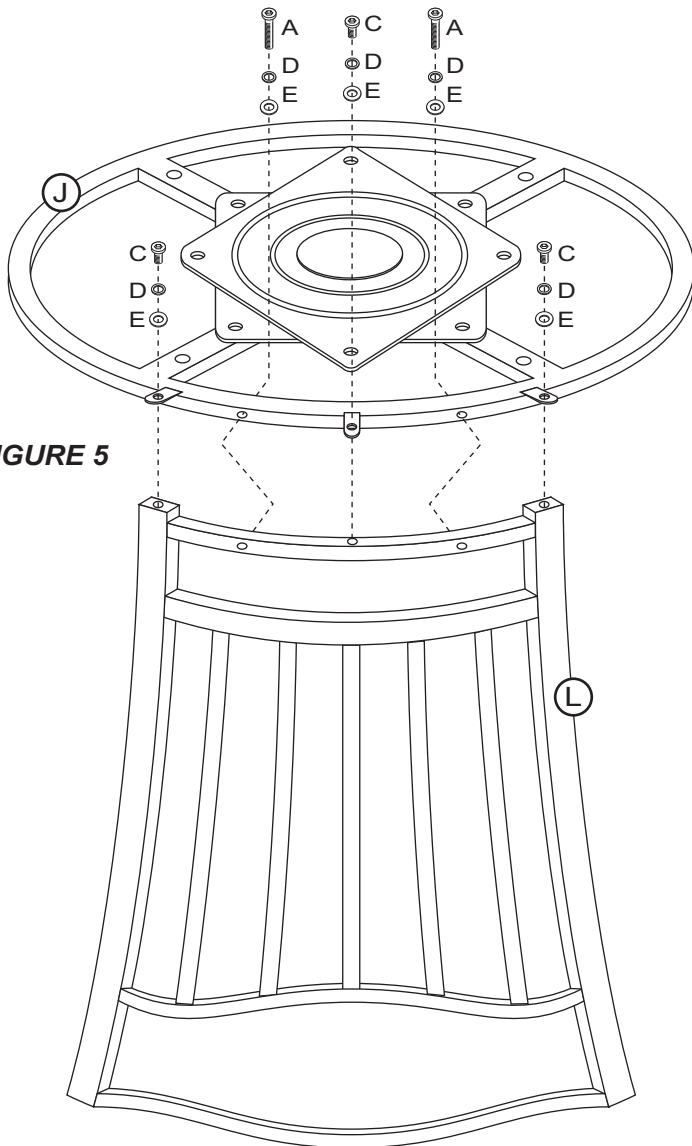


FIGURE 5

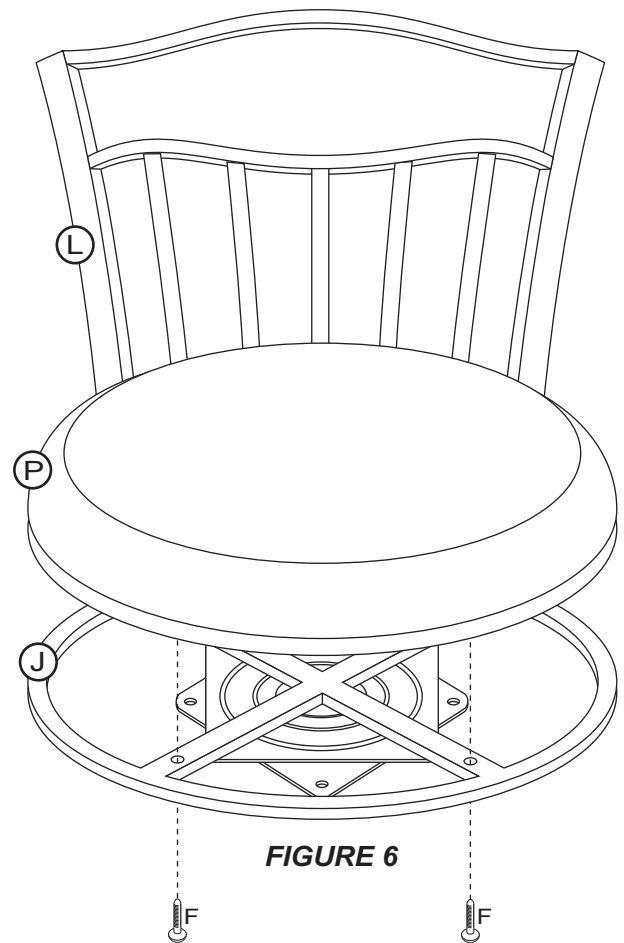


FIGURE 6

STEP 5 - See Figure 5

Turn Stool Base over in it's upright position and attach Stool Back (L) to Seat Frame (J), first using 2 Allen Bolts (A), 2 Spring Washers (D) & 2 Large Flat Washers (E) from the inside, 1 per each pre-drilled hole. Do not tighten bolts.

STEP 6 - See Figure 5

Also, attach from the outside of the Stool Back (L) to the Seat Frame (J) using 3 Allen Bolts (C), 3 Spring Washers (D) & 3 Large Flat Washers (E). Tighten all bolts from Steps 5 & 6.

STEP 7 - See Figure 6

Finally, attach the Seat Cushion (P) to Top of Seat Frame (J) using 4 Wood Screws (F), 1 per each pre-drilled hole. The assembly of your new stool is now complete.

CARE & MAINTENANCE: The touch of a soft cloth is all the maintenance the finish will ever need. Please do not use harsh or abrasive cleaners for polishing, as they may cause damage to the finish. Periodic checks are recommended to make sure that all bolts, screws and nuts are securely tightened.