

Examine all packaging material for small parts that may have come loose during shipment. Periodic checks are recommended to insure that all components are in proper position, tight and free from damage. Keep this assembly instruction for future reference. Adult assembly required. Online Parts Request Form: www.hillsdalehouse.com/parts_request.html

HARDWARE LIST

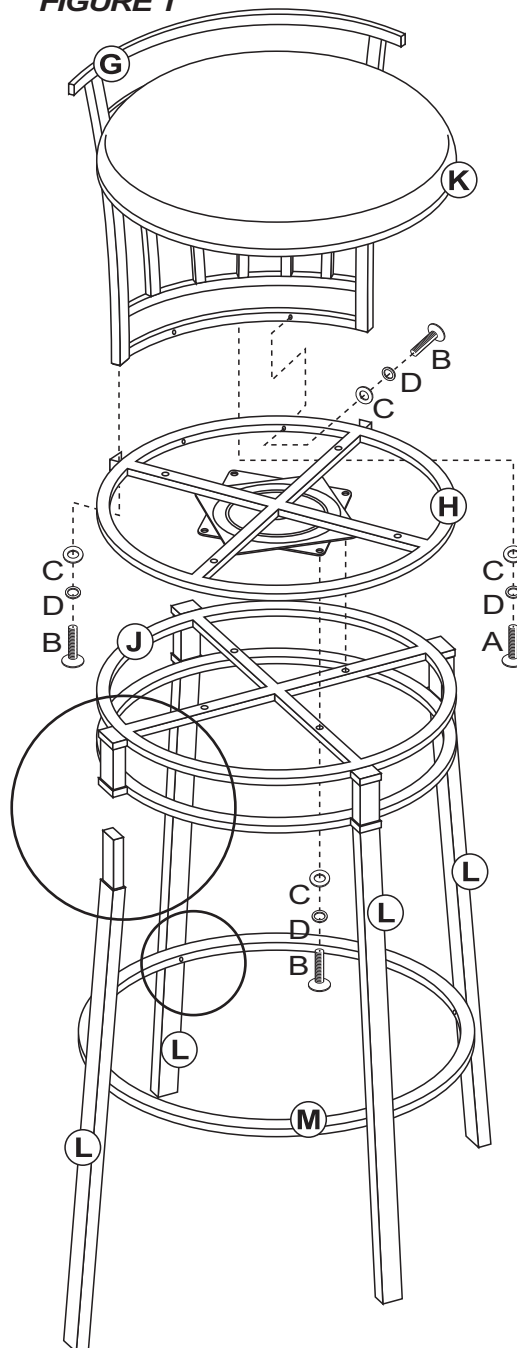
- A (9) Small Allen Bolts
- B (12) Long Allen Bolts
- C (17) Metal Washers
- D (17) Spring Washers
- F (1) Allen Wrench

PARTS LIST

- G (1) Back Panel
- H (1) Swivel Base
- J (1) Seat Base
- K (1) Seat Cushion
- L (4) Legs
- M (1) Support Ring



FIGURE 1



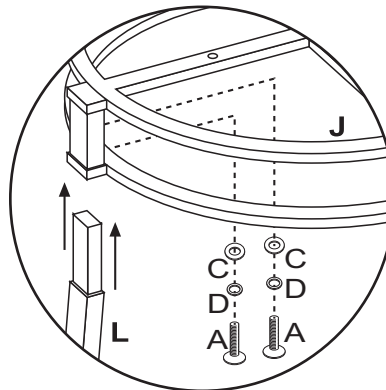
STEP 1

Begin assembly, by first attaching Back Panel (G) to Swivel Base (H) using 2 Long Allen Bolts (B), 2 Spring Washers (D) & 2 Metal Washers (C) from the outside, and 1 Short Allen Bolt (A), 1 Spring Washer (D) & 1 Metal Washer (C) from the outside middle. Also using 2 Long Allen Bolts (B), 2 Spring Washers (D) & 2 Metal Washers (C) from the inside. Tighten all bolts using Allen Wrench (F) provided.

STEP 2

Next, attach each Leg (L) to Seat Base (J), by inserting into place, then holding together using 2 Small Allen Bolts (A), 2 Spring Washers (D) & 2 Metal Washers (C) per each leg. Only hand tighten bolts for this step. See Figure 2.

FIGURE 2



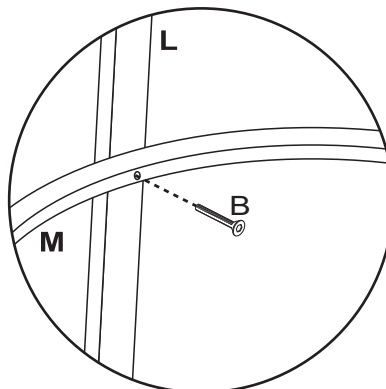
STEP 3

Attach Support Ring (M) to each Leg (L), using 1 Long Allen Bolt (B) per each leg. See Figure 3. Tighten all bolts from Steps 2 & 3 using Allen Wrench (F) provided.

STEP 4

Attach Swivel Base (H) to Stool Base (J), using 4 Long Allen Bolts (B), 4 Spring Washers (D) & 4 Metal Washers (C) per each corner. Tighten all bolts using Allen Wrench (F) provided. The assembly is now complete.

FIGURE 3



The Seat Cushion (K) shown above is not attached to the Swivel Base (H), this is drawn in this manner so that you can see the full assembly of the product. Your Seat Cushion should be pre-attached.

CARE & MAINTENANCE: The touch of a soft cloth is all the maintenance the finish of your new Stool will ever need. Never use harsh or abrasive cleaners for polishing. Periodic checks are recommended to make sure that all bolts are securely tightened.