

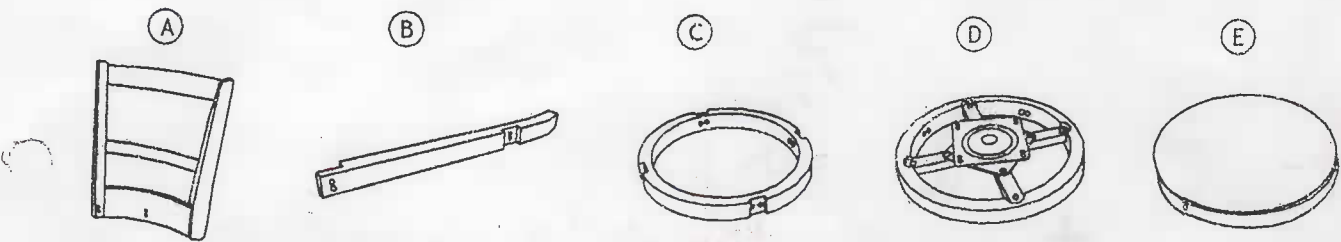
# ASSEMBLY INSTRUCTIONS

## MODEL: AUGUSTA SWIVEL BARSTOOL

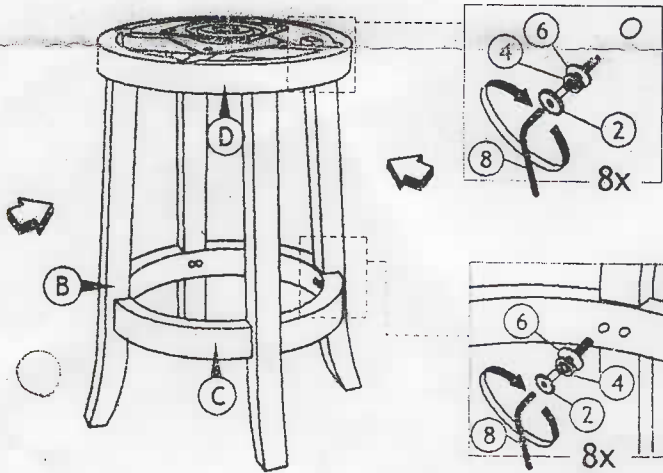
Read this instruction carefully. Refer hardware and furniture parts list for guidance. Be sure all parts are complete, before assembling. Place all wooden furniture part on a clean and flat soft surface to prevent scratches. Refer steps provided as assembling guide.

| PART LIST |                         |       |
|-----------|-------------------------|-------|
| ITEM      | DESCRIPTION             | QTY   |
| A         | Backrest                | 1 PC  |
| B         | Chair Leg               | 4 PCS |
| C         | Footrest                | 1 PC  |
| D         | Apron with swivel plate | 1 PC  |
| E         | Cushion Seat            | 1 PC  |

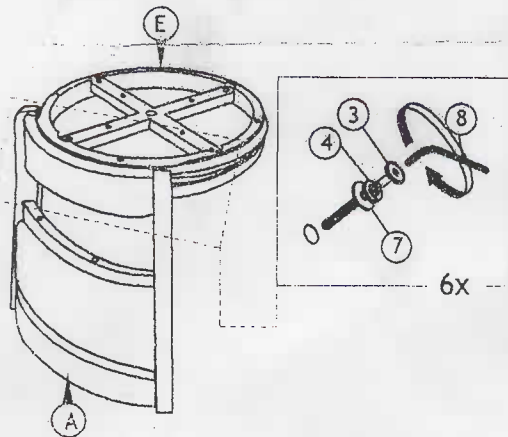
| HARDWARE LIST |                            |        |
|---------------|----------------------------|--------|
| ITEM          | DESCRIPTION                | QTY    |
| 1             | JCBC Screw M6 x 25MM       | 4 PCS  |
| 2             | JCBC Screw M6 x 40MM       | 16 PCS |
| 3             | JCBC Screw M6 x 45MM       | 6 PCS  |
| 4             | Spring Washer M6 x 13MM    | 22 PCS |
| 5             | Flat Washer 1/4" x 19MM    | 4 PCS  |
| 6             | Flat Washer M6 x 13MM      | 16 PCS |
| 7             | Flat Washer 6.5mm x 16.5mm | 6 PCS  |
| 8             | Allen Key Small M4         | 1 PC   |



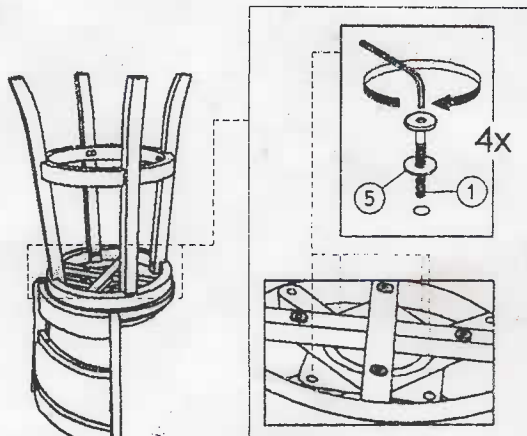
STEP 1



STEP 2



STEP 3



STEP 4

